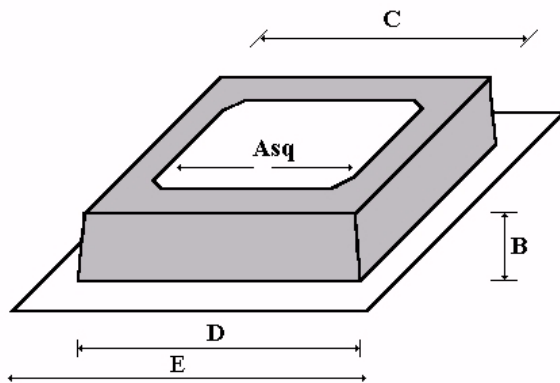


≡ GRP ROOF MOUNTED SUPPORT BOX / KERB



Designed specifically to provide load bearing support for roof mounted units, Grp support boxes may be installed in both pitched, or flat roof applications.

Manufactured in white glass reinforced plastic with a smooth internal surface, pre-drilled to accept standard roof terminals, the support boxes are lightweight, corrosion resistant and thermally efficient. In profiled roof installations the units provide an effective closure trim to cut edges around the aperture.

UNIT REF	'A' Top aperture *	'B' Height	'C' External	'D' Base aperture	'E' o/all base
PB 200/250	300	225	425	480	580
PB 300 / 315	350	220	445	515	615
PB 350	400	240	625	680	780
PB 400 / 450	510	240	730	780	880
PB 500 / 560	620	250	865	910	1050
PB 630 / 710	780	260	900	950	1080
PB 800	910	280	1090	1150	1270
PB1000	1140	285	1345	1390	1510

* Aperture variable to suit Customer requirements.

Purlin adapter box thickness varies between nominal 2mm to 6mm depending on unit size. Grp support boxes are compatible with conventional bitumen based or single ply flat roofing systems. Installation be above supported deck aperture or beneath deck, directly mounted on support trimmers (available separately).

Units supplied loose shrink wrapped.

© Weatherform Ltd 2021