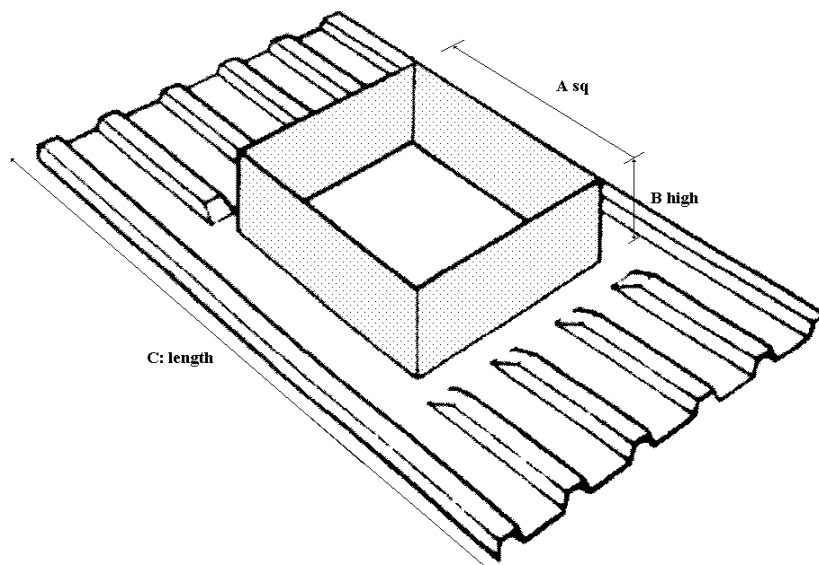


# ≡ Roof Soaker sheets



To compliment the Weatherform range of roof mounted units\*, an extensive dedicated range of GRP roof soaker sheets is available. Technical advice regarding application, profile selection and suitability is freely available.

### **Specification:**

Nominal 2mm thickness glass reinforced plastic, 2-piece post moulded 1800mm "patch" soaker sheet, gel coat surface pigmented to standard B.S 5252 colour. Upstand to suit Weatherform roof mounted terminal.

UNIT REF	'A' aperture Sq mm	'B' upstand height mm	'C' length mm
SKR 200/250	440	150	1800
SKR 300/315	510	150	1800
SKR 350	640	150	1800
SKR 400/450	750	150	1800
SKR 500/560	890	150	1800
SKR 630/710	1000	150	1800
SKR 800	1130	150	1800
SKR 1000	1370	150	1800

There is virtually no conventional profile for which we can not produce a soaker sheet.

**\*Weatherform Soaker sheets are also available to suit any roof unit size by any manufacturer in any conventional profile.**

©Weatherform Ltd 2021