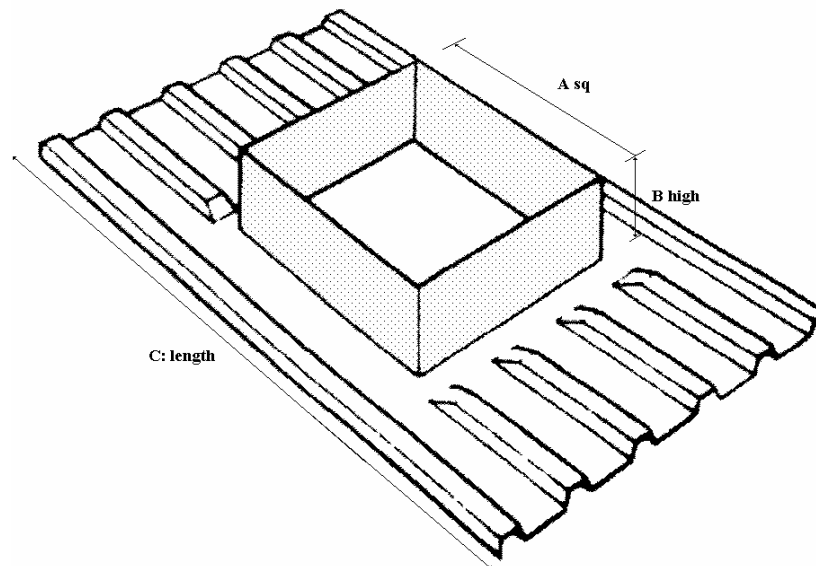


# ≡ Weatherform Ltd: Roof Soaker sheets



To compliment the Weatherform range of roof mounted units\*, an extensive dedicated range of GRP roof soaker sheets is available. Technical advice regarding application, profile selection and suitability is freely available.

## **Specification:**

Nominal 2mm thickness glass reinforced plastic, 2-piece post moulded 1800mm "patch" soaker sheet, gel coat surface pigmented to standard B.S 5252 colour. Upstand to suit Weatherform roof mounted unit.

UNIT REF	'A' aperture Sq mm	'B' upstand height mm	'C' length mm
SKR 200/250	440	150	1800
SKR 300/315	510	150	1800
SKR 350	640	150	1800
SKR 400/450	750	150	1800
SKR 500/560	890	150	1800
SKR 630/710	1000	150	1800
SKR 800	1130	150	1800
SKR 1000	1370	150	1800

## **What is a patch soaker?**

Owing to the vast array of available profiles, it is impractical to produce moulds to suit all Weatherform roof unit sizes in all profiles. To offer the widest possible selection, the required profile and upstand are manufactured separately; post laminated together and sealed using a pigmented flow coat surface layer at the intersection. The result is the most cost effective and simple method of providing a weatherproof detail to profiled roof applications.

NB: Soaker sheets are available as bespoke 1-piece moulded units at additional cost and extended delivery. Such units should be specified where a continuous surface finish is important i.e.: wall cladding or highly visible feature applications.

We are able to produce soaker sheets to suit virtually all available conventional profiles.

**\*Weatherform Soaker sheets are also available to suit any roof unit size by any manufacturer in any conventional profile. \*\***

\*\* A small tooling surcharge applies.