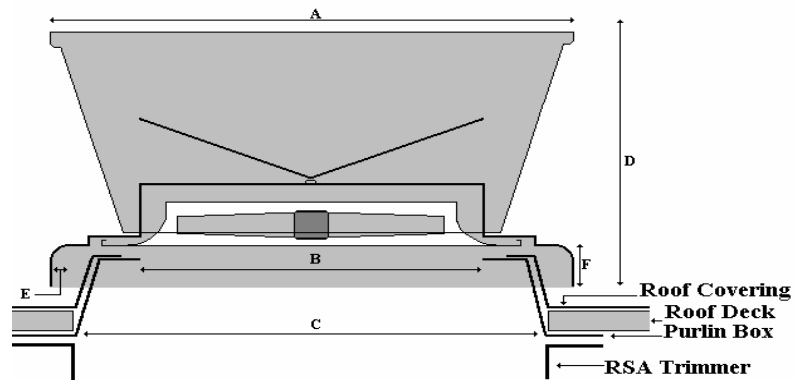
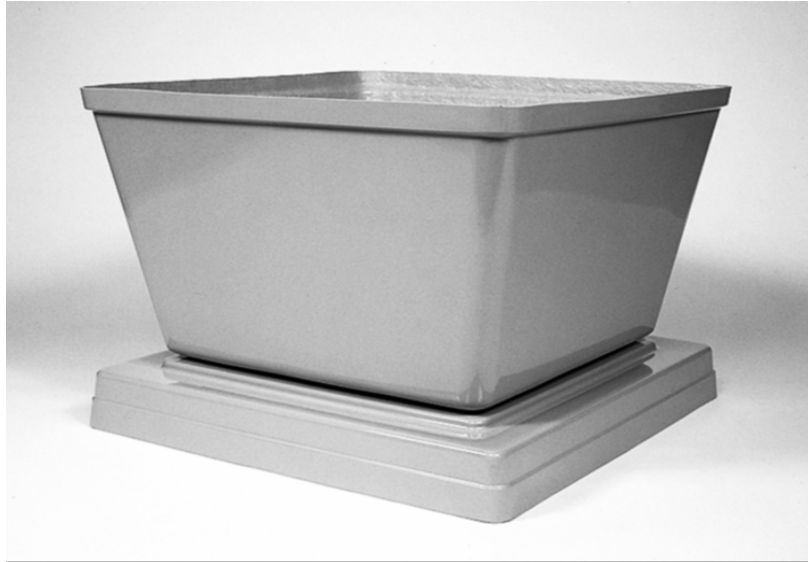


Weatherform Ltd Roof mounted terminals terminals

ROOF MOUNTED AXIAL FAN INSTALLATION DETAILS / DIMENSIONS



UNIT REF	A Weather Cowl sq	B Purlin box Aperture	C Purlin box base/ Roof aperture	D Unit height	E Weatherskirt Base sq	F Base Downstand	Weight Kg **
RV315	690	400	680	475	520/555	100	8.5
RV350	690	400	680	475	660/695	100	8.5
RV400	790	510	780	585	755/795	100	12
RV450	790	510	780	585	755/795	100	12
RV500	950	620	910	700	920/960	110	21
RV560	950	620	910	700	920/960	110	21
RV630	1030	780	950	800	1010/1055	110	27
RV710	1030	780	950	800	1010/1055	110	27
RV800	1120	1090	1150	760	1110/1090	110	32

*All dimensions indicated are nominal and subject to design change. The right to alter specification is reserved.